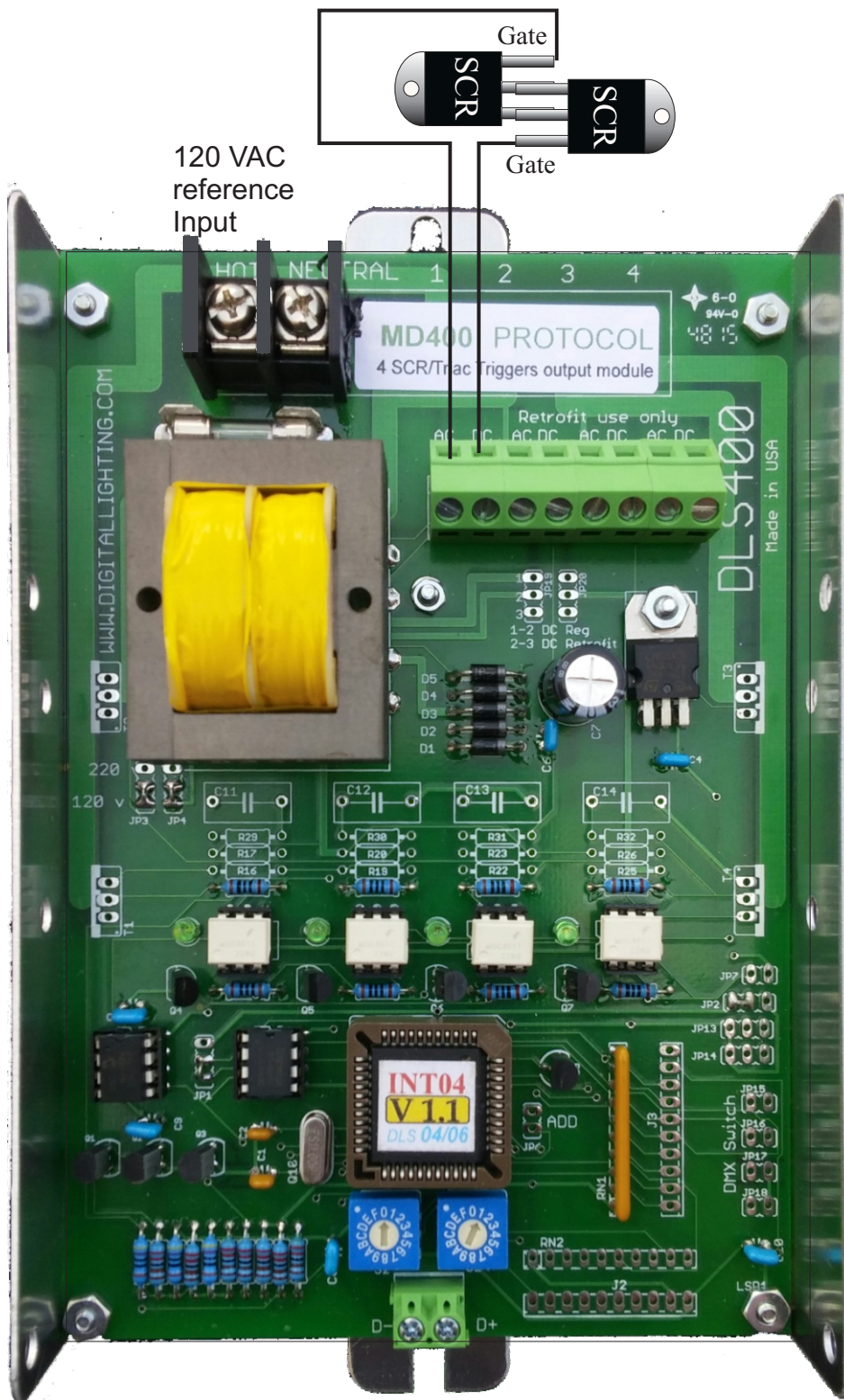




MD400- Protocol output Module



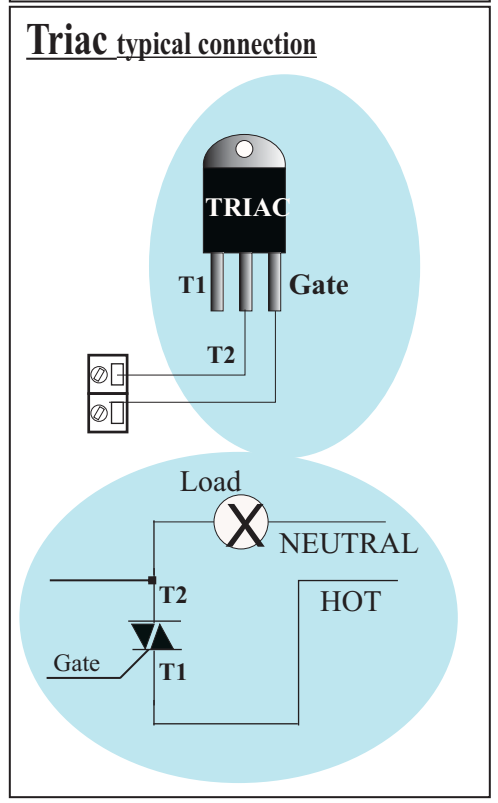
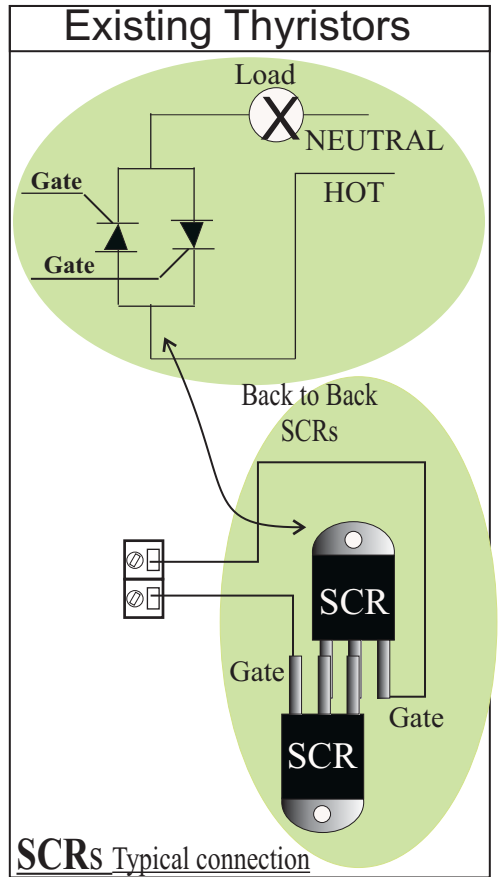
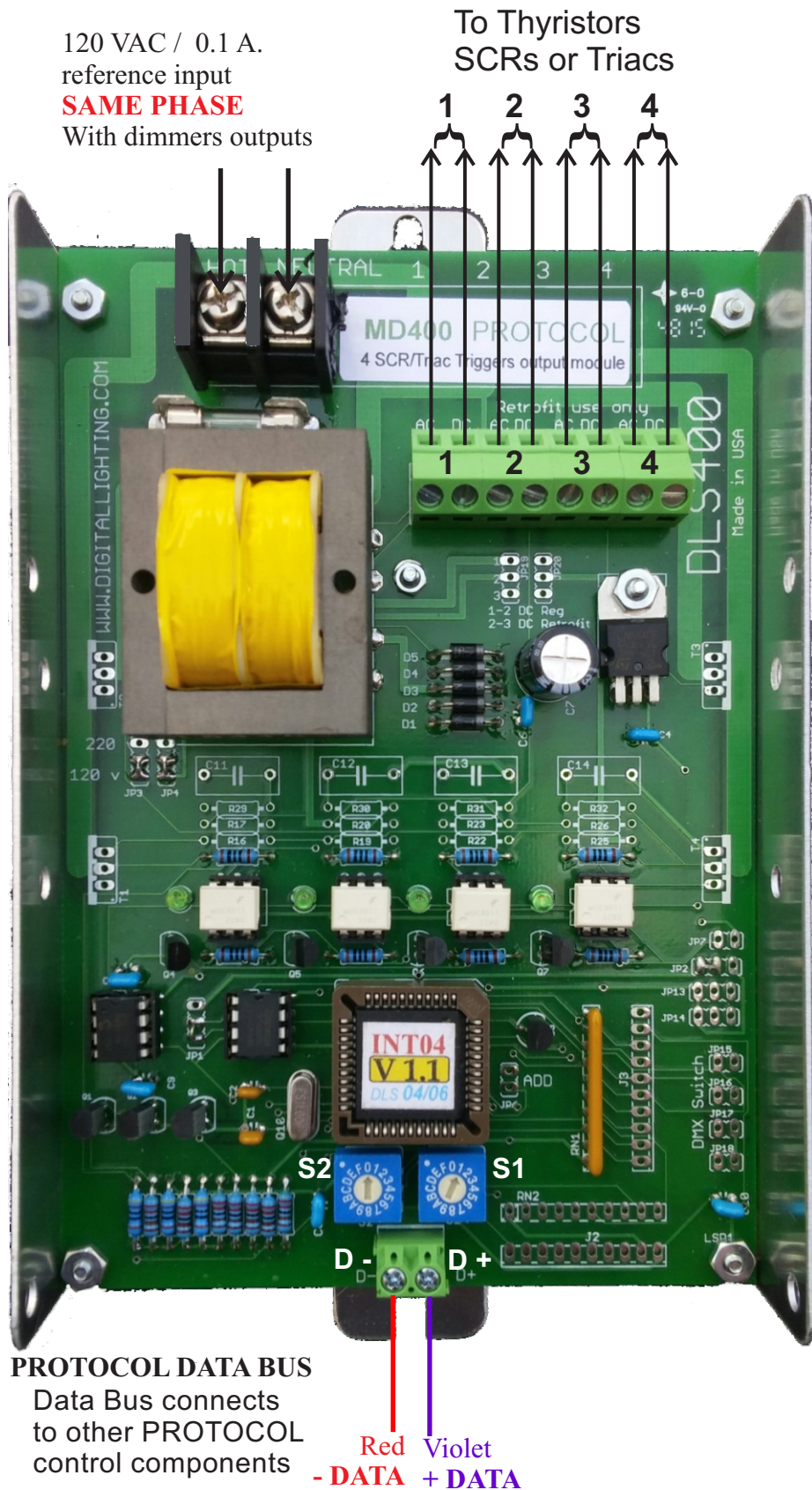
The MD400 Thyristor Firing board is compatible with the PROTOCOL dimming system.

The MD400 is equivalent to 1 OUTPUT MODULE (4 dimmers) & follows the same address settings as the PD404 dimmer modules. (Use PD404 for programming in SOFTPRO)

The MD400 can trigger control up to 4 Thyristor (Triac or SCR) Dimmers on

Overall Dimensions
Length : 7.40"
Width : 4.40"
Height : 1.50"
Mounting Holes : 6.60"

For proper operation the Dimmers connected to this MD400 Board should be on the same phase with the 120 VAC reference input .





MD400 DIMMER Address Selection Information

00	INVALID ADDRESS	33	set S2,S1 to 2,1
01	set S2,S1 to 0,1	34	set S2,S1 to 2,2
02	set S2,S1 to 0,2	35	set S2,S1 to 2,3
03	set S2,S1 to 0,3	36	set S2,S1 to 2,4
04	set S2,S1 to 0,4	37	set S2,S1 to 2,5
05	set S2,S1 to 0,5	38	set S2,S1 to 2,6
06	set S2,S1 to 0,6	39	set S2,S1 to 2,7
07	set S2,S1 to 0,7	40	set S2,S1 to 2,8
08	set S2,S1 to 0,8	41	set S2,S1 to 2,9
09	set S2,S1 to 0,9	42	set S2,S1 to 2,A
10	set S2,S1 to 0,A	43	set S2,S1 to 2,B
11	set S2,S1 to 0,B	44	set S2,S1 to 2,C
12	set S2,S1 to 0,C	45	set S2,S1 to 2,D
13	set S2,S1 to 0,D	46	set S2,S1 to 2,E
14	set S2,S1 to 0,E	47	set S2,S1 to 2,F
15	set S2,S1 to 0,F	48	set S2,S1 to 3,0
16	set S2,S1 to 1,0	49	set S2,S1 to 3,1
17	set S2,S1 to 1,1	50	set S2,S1 to 3,2
18	set S2,S1 to 1,2	51	set S2,S1 to 3,3
19	set S2,S1 to 1,3	52	set S2,S1 to 3,4
20	set S2,S1 to 1,4	53	set S2,S1 to 3,5
21	set S2,S1 to 1,5	54	set S2,S1 to 3,6
22	set S2,S1 to 1,6	55	set S2,S1 to 3,7
23	set S2,S1 to 1,7	56	set S2,S1 to 3,8
24	set S2,S1 to 1,8	57	set S2,S1 to 3,9
25	set S2,S1 to 1,9	58	set S2,S1 to 3,A
26	set S2,S1 to 1,A	59	set S2,S1 to 3,B
27	set S2,S1 to 1,B	60	set S2,S1 to 3,C
28	set S2,S1 to 1,C	61	set S2,S1 to 3,D
29	set S2,S1 to 1,D	62	set S2,S1 to 3,E
30	set S2,S1 to 1,E	63	set S2,S1 to 3,F
31	set S2,S1 to 1,F		
32	set S2,S1 to 2,0		

NOTES:

00 Decimal (S2,S1 = 0,0) is not allowed on any device.
Max **PD408-277** Address: 63 Decimal (S2,S1 = 3,F)

LIMITED WARRANTY

Digital Lighting Systems, warrants to the purchaser that its products have been carefully manufactured and inspected and are warranted to be free from defects of workmanship and materials when used as intended. Any abuse or misuse contrary to normal operation shall void this warranty.

Digital Lighting Systems' obligation under this warranty shall be limited to replacement or repair of any units as shall within two years of date of invoice from **Digital Lighting Systems**, prove defective; and **Digital Lighting Systems** shall not be liable for any other damages, whether direct or consequential. **The implied warranties of merchantability and fitness for a particular purpose are limited to the duration of the expressed warranty.** Some states do not allow the exclusion of the limitation of incidental or consequential damages, so the above limitation or exclusion may not apply to you. This warranty gives you specific legal rights, you may also have other legal rights which vary from state to state.

Defective merchandise may be returned to **Digital Lighting Systems**, prepaid, after prior notification has been given and approval obtained for the return. To obtain prior approval for the return of the defective items, contact your local Digital Lighting Systems distributor, representative, or:

Digital Lighting Systems, Inc.

Attn: Customer Service Department
12302 SW 128 Ct.
Miami, FL 33186
(305) 969-8442



Digital Lighting Systems, Inc.
12302 SW 128 Ct.
Miami, FL 33186
www.digitallighting.com

Tel 305-969-8442
Fax 305-969-8675
e-m info@digitallighting.com

Upon request, replacement unit(s) will be shipped as soon as available. Unless immediate shipment of replacement merchandise is requested, **Digital Lighting Systems** will not ship replacement merchandise until defective merchandise is received, inspected, and determined to be defective.

No labor charges in connection with warranty problems will be reimbursed by Digital Lighting Systems without prior written approval from the factory.

Digital Lighting Systems distributors and representatives have no authority to change this warranty without written permission.

Digital Lighting Systems reserves the right to determine the best method of correcting warranty problems.

Printed in U.S.A.
April 2016