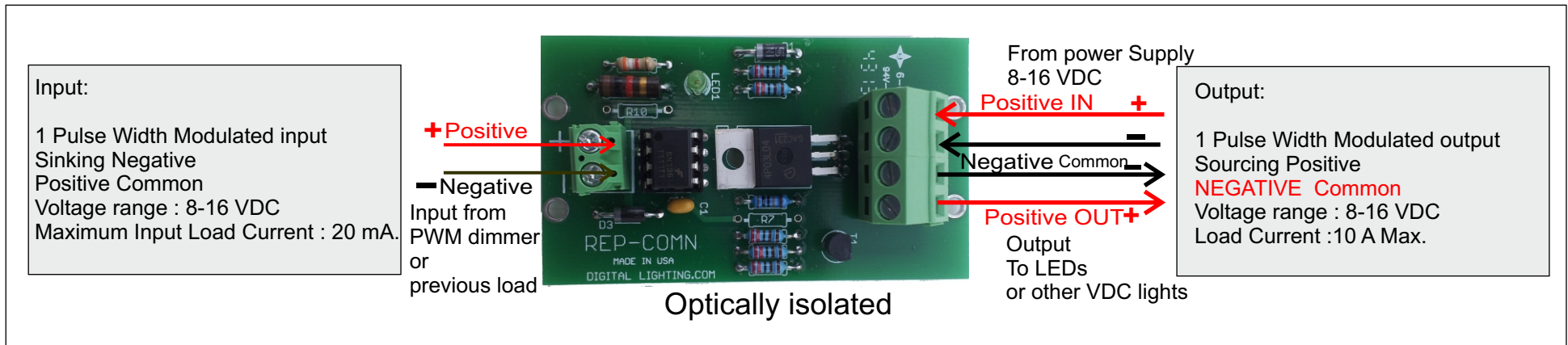
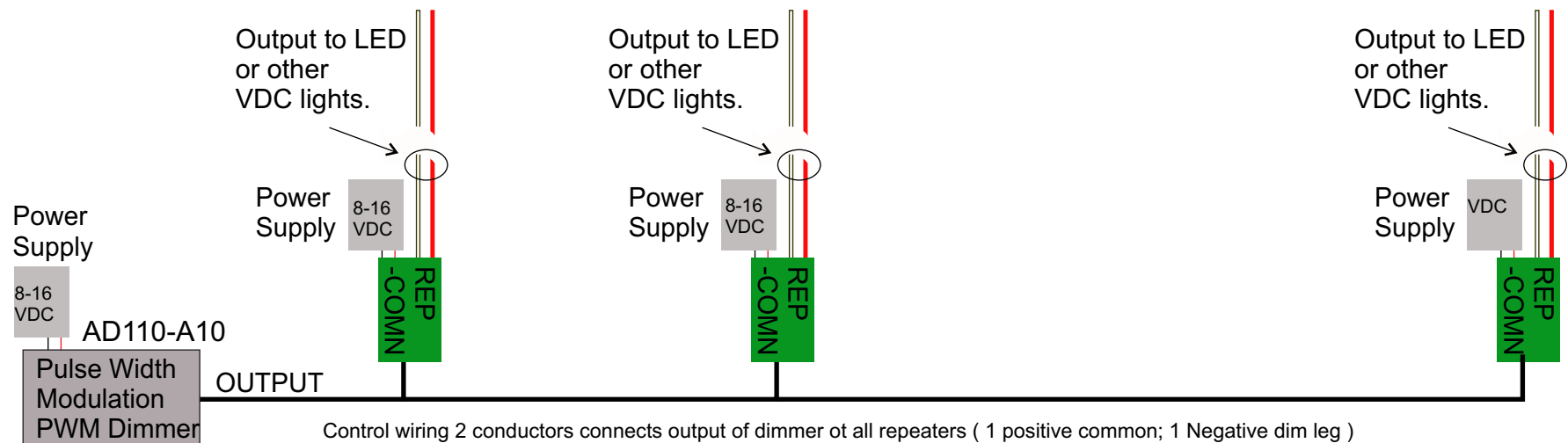


- REP-COMN repeaters / amplifiers are used to Convert any Pulse Width Modulated PWM dimmer output to a switched Positive common negative dimmer
- REP-COMN1 repeaters / amplifiers are used to control an indefinite number of LED VDC lights loads, in Common Negative applications, that are connected to different power supplies.
- Optically isolated Output totally isolates the different power supplies and reproduces the PWM output of dimmers with frequencies from 0 Hz to 1000 Hz.

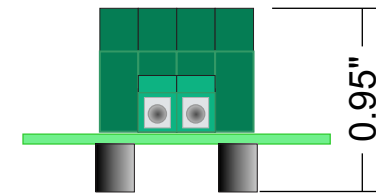
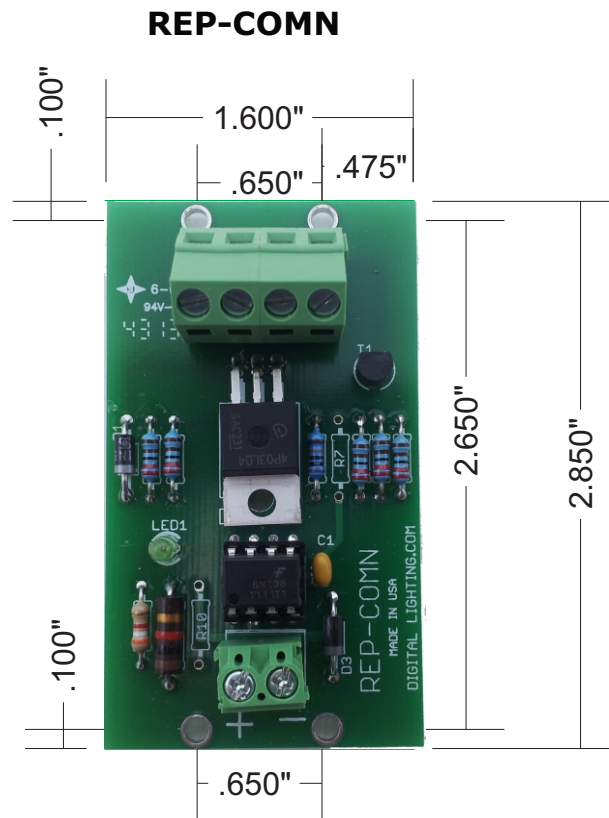
Made in USA



Parallel installation



Board dimensions and Mounting foot print:



Typical mounting height clearance with 0.25" spacers standoffs.

PC Board Mounting holes size:
diameter= .115 (# 4 screw)