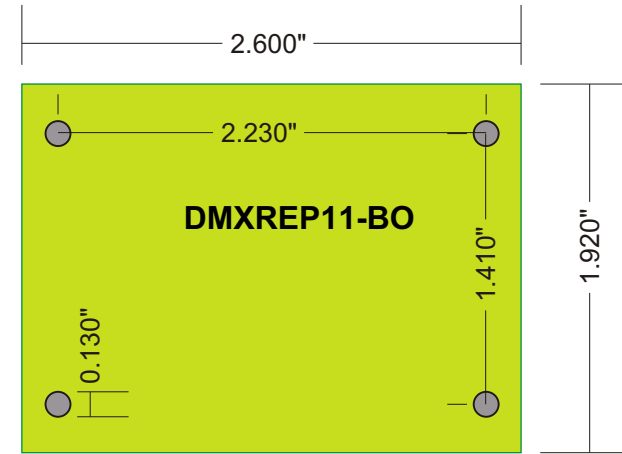
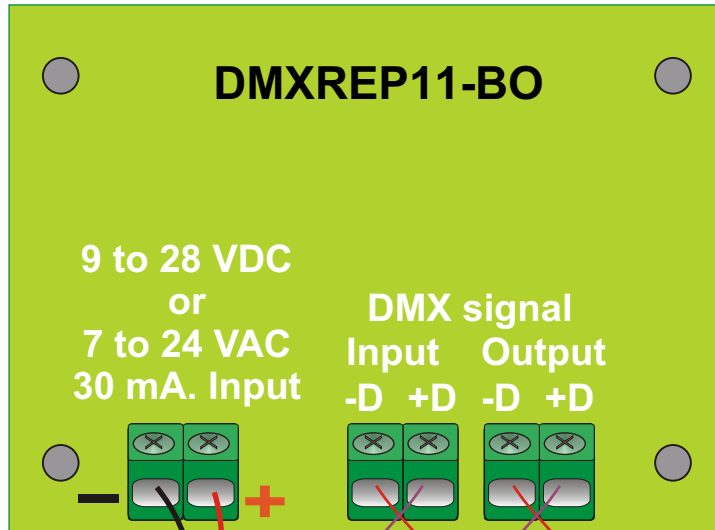
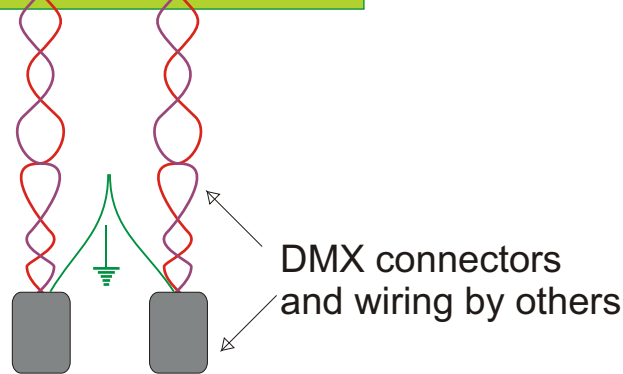



DMXREP11-BO : RS485 optically isolated 1 input to 1 output signal repeater



PC board dimensions and mounting holes compatible with **PACTEC** outdoor box model # **OD33-2.0**



If needed interconnect Shield ground directly from input to output pigtails

 Digital Lighting Systems - Miami, Florida Tel: (305) 969-8442, www.digitallighting.com			Description DMXREP11-BO RS485 Signal repeater PC board			
Date	Drawn By	Approved By	Part No.	Scale	Drawing No.	Revision
05/21/2010	RB	EMK		1=1	DMXREP11-BO	
			Sheet	Of		
			1	1		