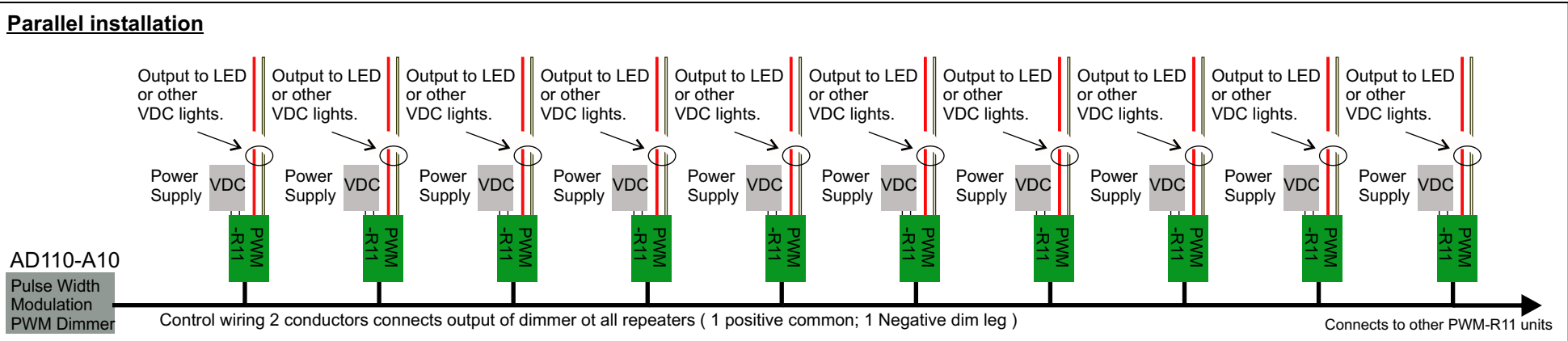
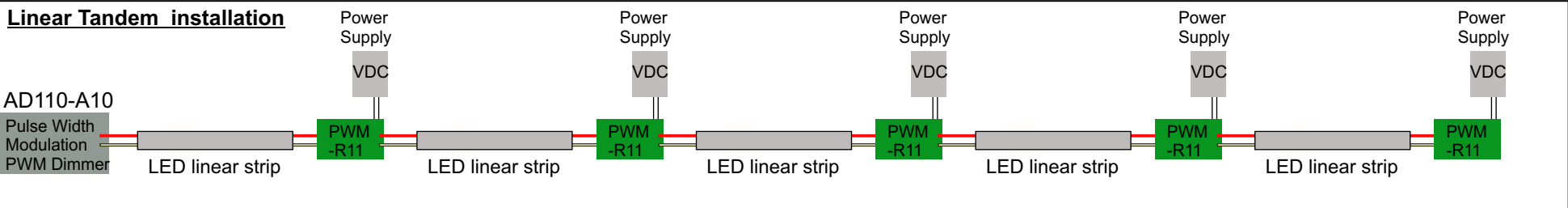
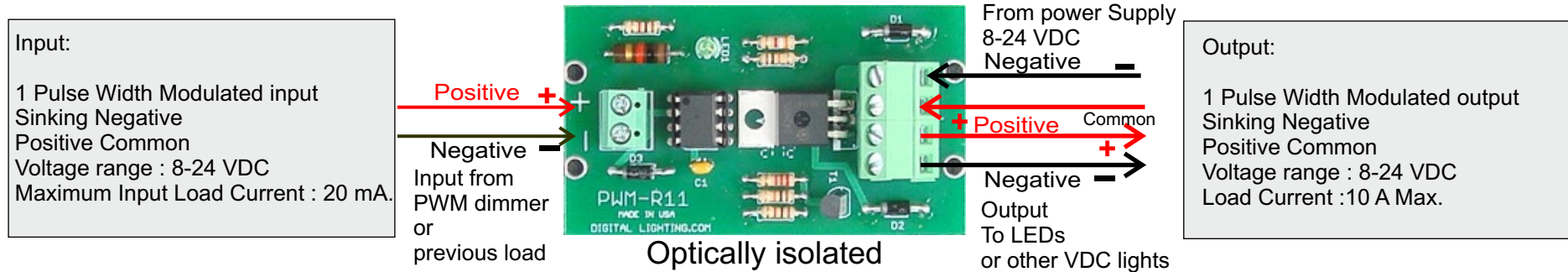
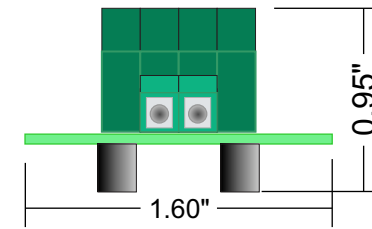
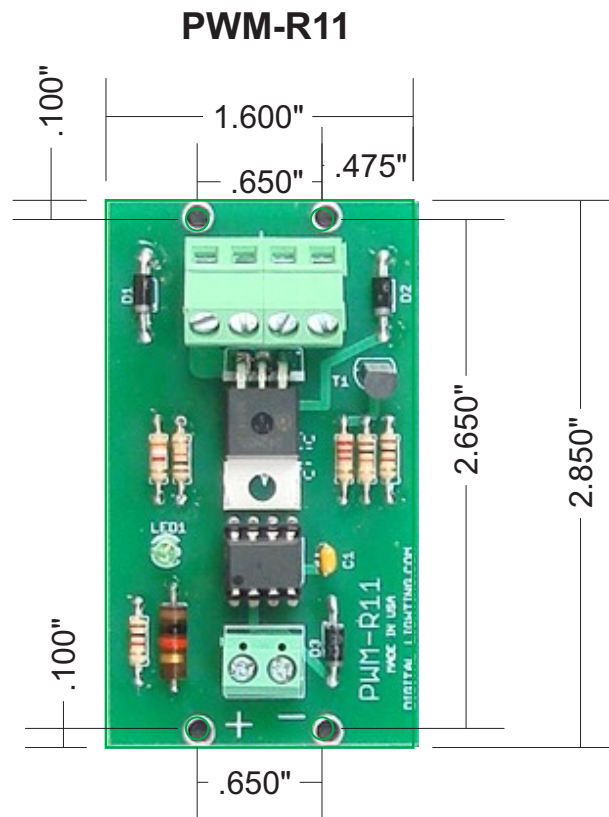


- PWM-R1 repeaters / amplifiers are used to synchronize any Pulse Width Modulated PWM dimmer output with multiple loads without the need to have control cables.
- PWM-R11 repeaters / amplifiers are used to control an indefinite number of LED VDC lights loads that are connected to different power supplies.
- PWM-R11 connect in tandem from load to load or in parallel sharing the same signal from the output of a master PWM Dimmer.
- Optically isolated Output totally isolates the different power supplies and reproduces the PWM with a precision of 99.9%.



Board dimensions and Mounting foot print:



Typical mounting height clearance with 0.25" spacers standoffs.

PC Board Mounting holes size:  
 diameter= .115 ( # 4 screw)