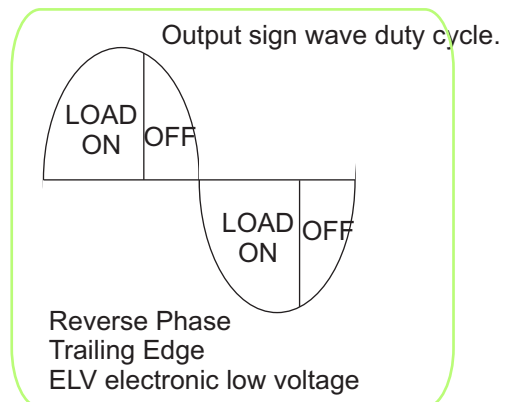
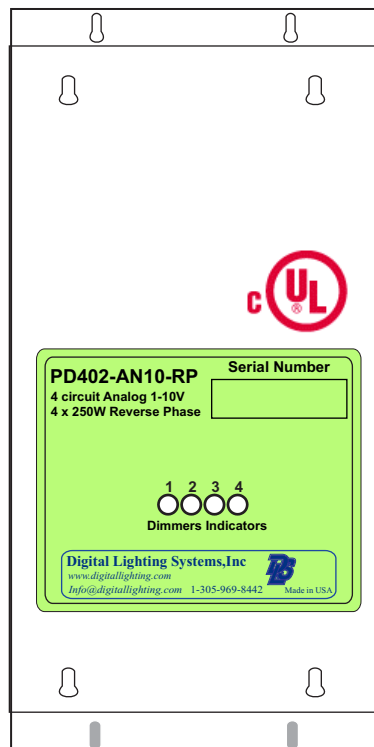




# PD402-AN10-RP

0-10V analog control  
Reverse Phase, Trailing Edge  
4 Channel x 250 W Dimmer Pack

ANALOG 0-10 V



**PD402-AN10-RP Load Driver Module Information**

Figure 1 - PD402-RPDetail

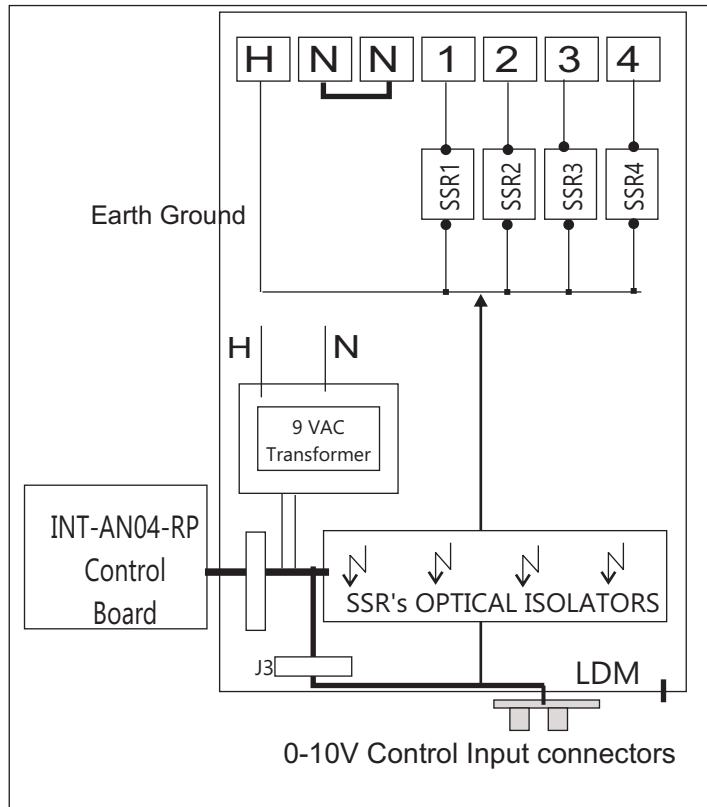


Table 1 - Terminals Definition

#	DESCRIPTION
1	Output Of Solid-State Relay #1
2	Output Of Solid-State Relay #2
3	Output Of Solid-State Relay #3
4	Output Of Solid-State Relay #4
H	Hot Line Feed For Relays 1, 2, 3 & 4
N	Neutral Bus Connections.

Table 2 - Maximum Electrical Ratings

**Electrical Characteristic:**

Output Load Current	Max 2.0 A.
Input Current	H 20 Amps.
Input Voltage	H 120 VAC

Ratings under 90° degrees Fahrenheit ambient temperature  
 Derate by 5% for each 5 degrees F over 90 ambient temperature.

**Specifications: PD402-AN10-RP**

4 x 250 Watts Reverse Phase dimmer pack which is designed to be controlled either by a 4 x100 KOHM potentiometers ; one for each dimmer, or by a standard 0-10 V analog signal from a sinking controller.

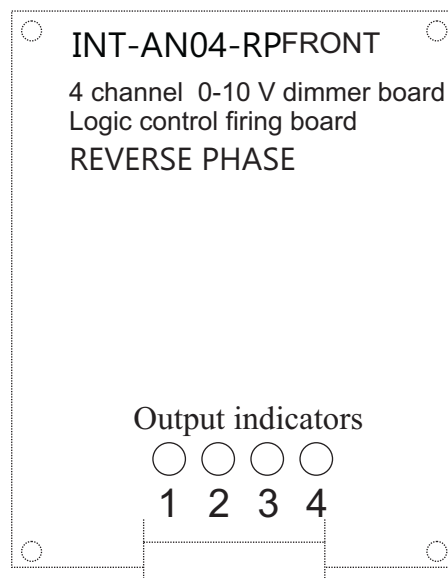
Control Input specifications:

1 mA. current; Response range :  
 1 V = 0% ; 10 V = 100 %

Dimmer power specifications:

Operating Voltage: 120 VAC

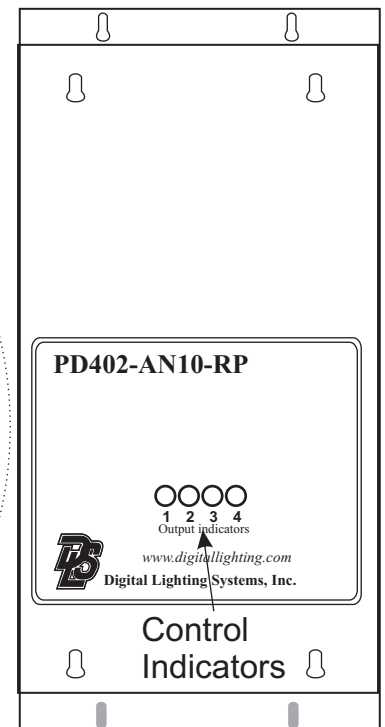
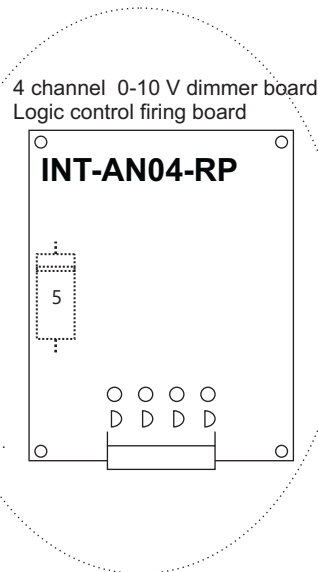
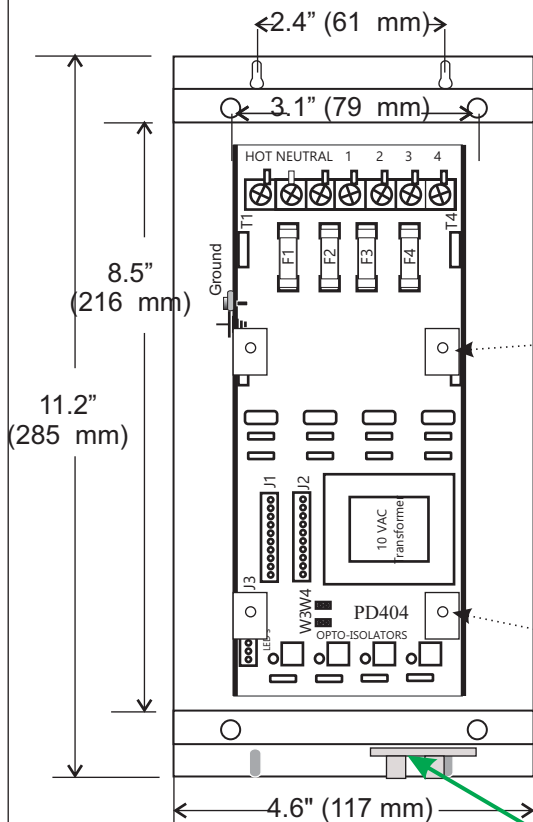
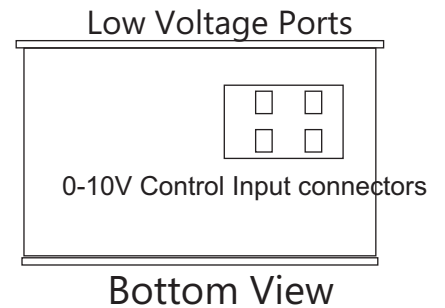
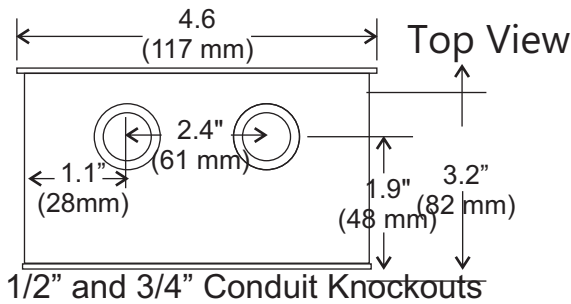
Figure 2 - INT-AN04-RP control board



Enclosure Installation

Surface mount the dimmer pack in a well ventilated area where the ambient temperature does not exceed **90° F** for full load operation. Allow 2" of side clearance for proper air circulation and servicing. Installation clearance shall meet local and/or NEC code requirements. Enclosures may be attached to the wall or other mounting surface by holes in the heat sink flanges. Refer to the drawings below (FIGURE 3) for the correct dimensions. Conduit shall be pulled to the top of the dimmer packs.

Figure 3 - PD402-AN10-RP Dimensional Diagram



PD404 ( LDM)  
 Load Driver Module

0-10V Control Input connectors

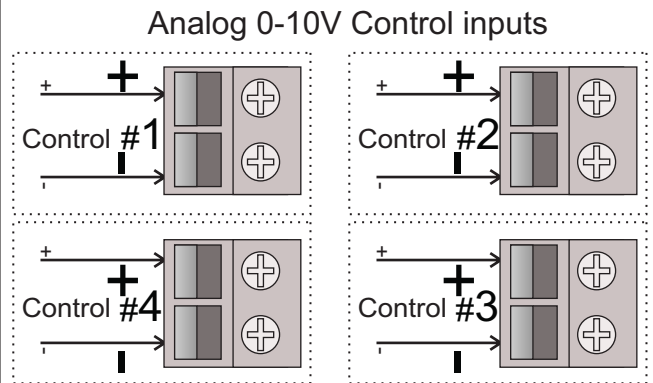
PD402 Front Cover

**PD402-AN10-RP General Wiring Instructions**

**Wiring Notes**

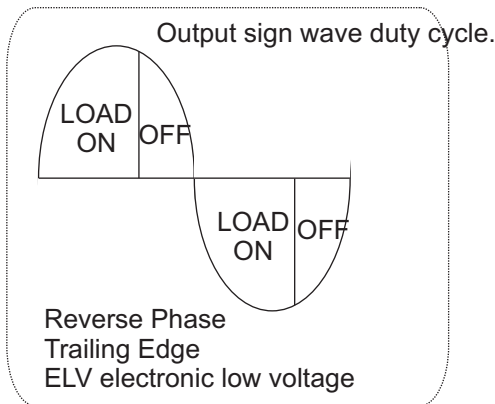
- ❑ DO NOT EXCEED **250 Watts per Output** @ 120VAC.
- ❑ All wiring From control to dimmers is low voltage (NEMA Class 2)
- ❑ PD402-AN10-RP dimmer packs may be fed by one 20 A (maximum) branch circuit and may have up to Four separately dimmed loads.
- ❑ CAUTION: DO NOT attempt to parallel outputs to increase capacity.
- ❑ Installations must conform to local and/or NEC code requirements.
- ❑ Each load must have its own Neutral wire for full load operation.
- ❑ All line voltage wires must have copper conductors of adequate Gauge with 90° C wire insulation.

**Figure 4 - PD402-AN10-RP Typical Control Wiring.**



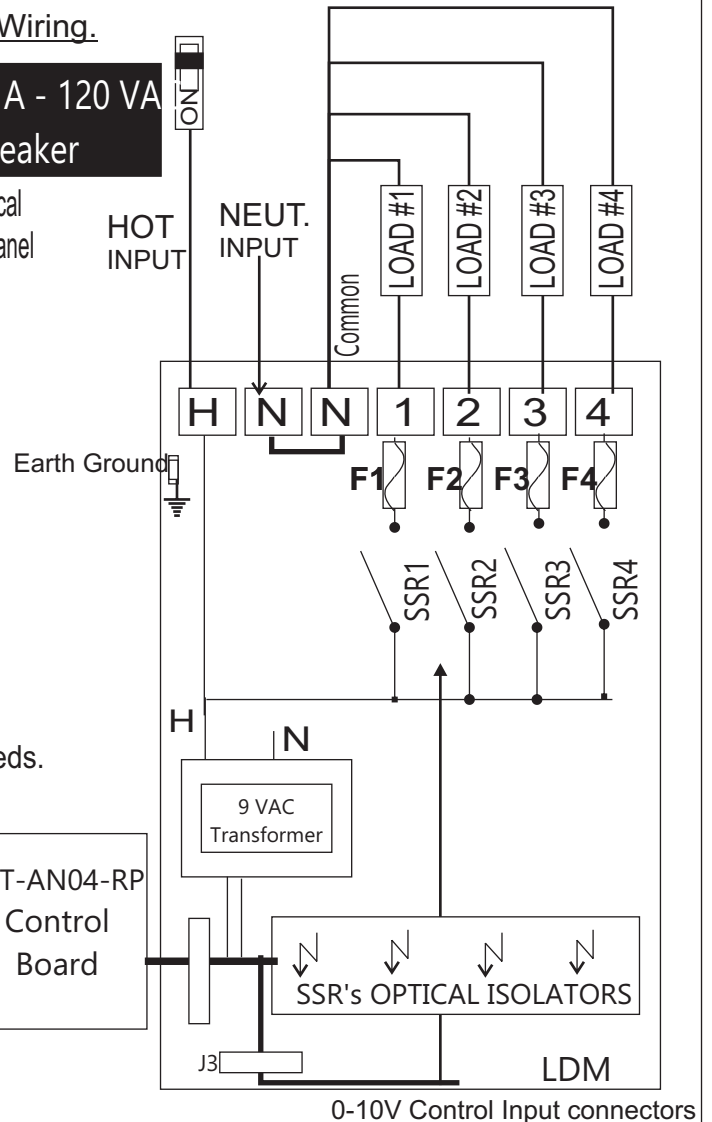
Optional:  
 Could be also controlled with 4x 100 KOHM potentiometers .

**Figure 5 - PD402-AN10-RP Typical 120 VAC Wiring.**



**MAX.x20 A - 120 VA**  
**Breaker**

From Electrical Distribution Panel



**CAUTION:**  
**Fuses:**  
**1 to 4 are 2 Amps/250V ; quick blow to be replaced by certified electrician.**

For Full Load Operation Use:  
 #12 AWG copper conductor wire for Line & Neutral Feeds.  
 #14 AWG copper conductors to each load.  
 Follow N.E.C. requirements

Max. Per Load: 2.0 Amperes (250 W at 120 VAC).

Ratings under 90° degrees Fahrenheit ambient temperature  
 Derate by 5% for each 5 degrees F over 90 ambient temperature.



## LIMITED WARRANTY

Digital Lighting Systems, warrants to the purchaser that its products have been carefully manufactured and inspected and are warranted to be free from defects of workmanship and materials when used as intended. Any abuse or misuse contrary to normal operation shall void this warranty.

Digital Lighting Systems' obligation under this warranty shall be limited to replacement or repair of any units as shall within two years of date of invoice from Digital Lighting Systems, prove defective; and Digital Lighting Systems shall not be liable for any other damages, whether direct or consequential. The implied warranties of merchantability and fitness for a particular purpose are limited to the duration of the expressed warranty. Some states do not allow the exclusion of the limitation of incidental or consequential damages, so the above limitation or exclusion may not apply to you. This warranty gives you specific legal rights, you may also have other legal rights which vary from state to state.

Defective merchandise may be returned to Digital Lighting Systems, prepaid, after prior notification has been given and approval obtained for the return. To obtain prior approval for the return of the defective items, contact your local Digital Lighting Systems distributor, representative, or:

Digital Lighting Systems, Inc.  
Attn: Customer Service Department  
12302 SW 128 Ct.  
Miami, FL 33186  
(305) 969-8442



Digital Lighting Systems, Inc.  
12302 SW 128 Ct.  
Miami, FL 33186  
[www.digitallighting.com](http://www.digitallighting.com)

Tel 305-969-8442  
Fax 305-969-8675  
e-m [info@digitallighting.com](mailto:info@digitallighting.com)

Upon request, replacement unit(s) will be shipped as soon as available. Unless immediate shipment of replacement merchandise is requested, Digital Lighting Systems will not ship replacement merchandise until defective merchandise is received, inspected, and determined to be defective.

No labor charges in connection with warranty problems will be reimbursed by Digital Lighting Systems without prior written approval from the factory.

Digital Lighting Systems distributors and representatives have no authority to change this warranty without written permission.

Digital Lighting Systems reserves the right to determine the best method of correcting warranty problems.

